

### PRODUCT OVERVIEW

The Waves eMotion LV1 Control is a digital mixing controller that extends eMotion Lv1 Live mixing console physical control facility. The Lv1 Control includes 17 100 mm Alps motorized faders, LCD mini displays for meters and indicators, and an array of toggles for channel select, mute, solo, faders layer control, custom user set functions and a set of 17 encoders for parameters control. Lv1 Control connects to the Lv1 system with a single USB connection, it provides a dedicated connection for a goose neck lamp and a set of ¼ threadings for mounting accessories.

#### Main Features

- Seamless integration with eMotion LV1 Classic and eMotion LV1 modular systems
- 17 motorized 100 mm Alps faders
- 17 precision encoders, with mini-displays including per-channel LCD metering
- Touch and Turn function mapping for on screen parameters
- Select/Mute/Solo toggle control per channel
- 8 layers keys and 8 utility keys
- A dedicated tempo pad
- 16+2 customizable user defined keys
- 12v XLR4 lamp connection
- Internal 100-240V switching power supply
- USB port for system connection

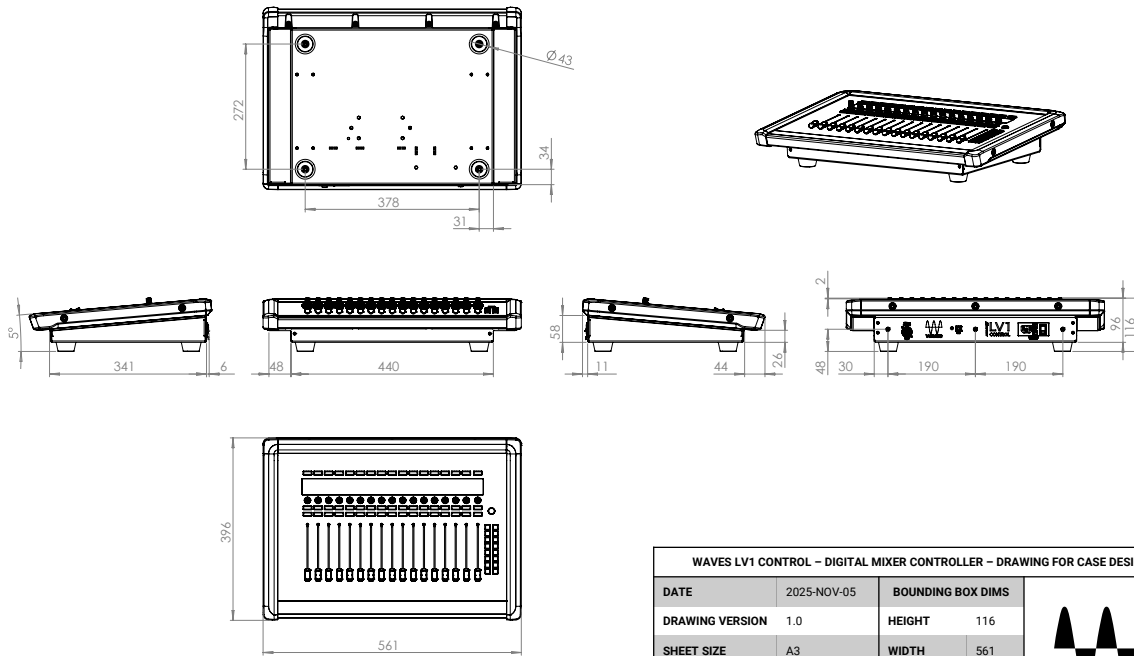
### A&E SPECIFICATIONS

The Waves eMotion LV1 Control shall be designed for Live sound and Broadcast applications in conjunction with eMotion LV1 Live mixing console. The Waves eMotion LV1 Control shall be designed with sheet metal chassis and surrounding plastic frame. The Waves eMotion LV1 Control shall have 17 motorized 100mm faders, 17 rotary encoders, and 68 rubber toggle switches. The Waves eMotion LV1 Control shall support USB connection using USB-B connector. The Waves eMotion LV1 Control shall have a LED lamp DC power outlet on an XLR 4 connector. The Waves eMotion LV1 Control shall have an AC power inlet modules on the back panel, including an IEC mains connectors, a fuses, and an on/off switch.


The Waves eMotion LV1 Control shall be CE marked, UL listed, and shall be compliant with FCC and CB regulations. The Waves eMotion LV1 Control warranty period shall be 12 months.

## DIMENSIONS

W x D x H	561 mm (w) x 396 mm (d) x 116 mm (h) 22.1 inch (w) x 15.6 inch (d) x 4.6 inch (h)
Weight	6.4 kg (14 lbs)



WAVES LV1 CONTROL – DIGITAL MIXER CONTROLLER – DRAWING FOR CASE DESIGN			
DATE	2025-NOV-05	BOUNDING BOX DIMS	
DRAWING VERSION	1.0	HEIGHT	116
SHEET SIZE	A3	WIDTH	561
SHEET SCALE	1:6	DEPTH	396
UNITS	MM	WEIGHT	
TOLERANCE	±0.5	6.4KG	



NON CONFIDENTIAL

## SPECIFICATIONS

Faders	17 touch-sensitive 100mm motorized faders
Encoders	17 rotary encoders with clickable toggle
Select / User Keys	17 RGB backlit buttons
Solo / Mute	17 RGB backlit buttons
Layers / Utilities	16 RGB backlit buttons
Tempo	RGB backlit Tap Pad
Display	17 1.14" TFT LCD with Meters
USB	USB 2.1 (B) port
Lamp	12V 2W max (pin 1, 2= NC, pin 3= GND, pin 4= +12V)
Power	110V/220V 0.8A/0.4A auto-switching power supply units
Operating Temperature	0 to 35 degrees Celsius (32 to 95 degrees Fahrenheit)